

Invertek
Drives.com

EMC Filter

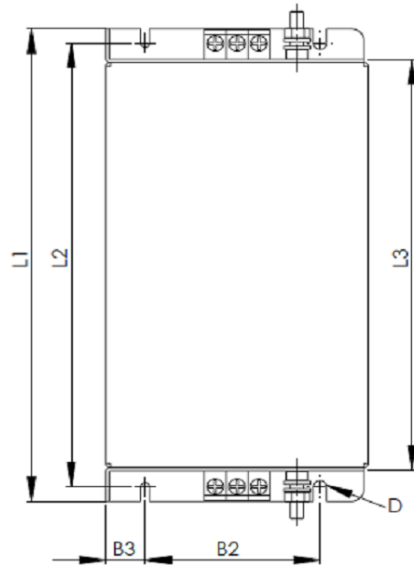
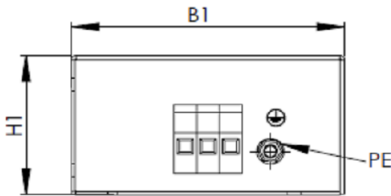
Dimensions /

Single Phase

Part Number	Optidrive Size	PE Connection	L1 (mm)	L2 (mm)	L3 (mm)	B1 (mm)	B2 (mm)	B3 (mm)	H1 (mm)	H2 (mm)	H3 (mm)	D (mm)	Rated Amps	Weight (kg)
OPT-2-E1010-20	1	2 x M6	180	166	150	70	45	12.5	65	40	12.5	6.2	10	1.5
OPT-2-E1025-20	2	2 x M6	250	236	220	70	45	12.5	65	40	12.5	6.2	25	2.8

Three Phase – Frame Sizes

Part Number	Optidrive Size	PE Connection	L1 (mm)	L2 (mm)	L3 (mm)	B1 (mm)	B2 (mm)	B3 (mm)	H1 (mm)	H2 (mm)	H3 (mm)	D (mm)	Rated Amps	Weight (kg)
OPT-2-E3006-20	1	2.5	210	196	180	85	55	15	60	40	10	6.2	6	2.7
OPT-2-E3016-20	2	2.5	230	216	200	120	80	20	65	40	12.5	6.2	16	2.7
OPT-2-E3025-20	3	2.5	230	216	200	120	80	20	65	40	12.5	6.2	25	2.7

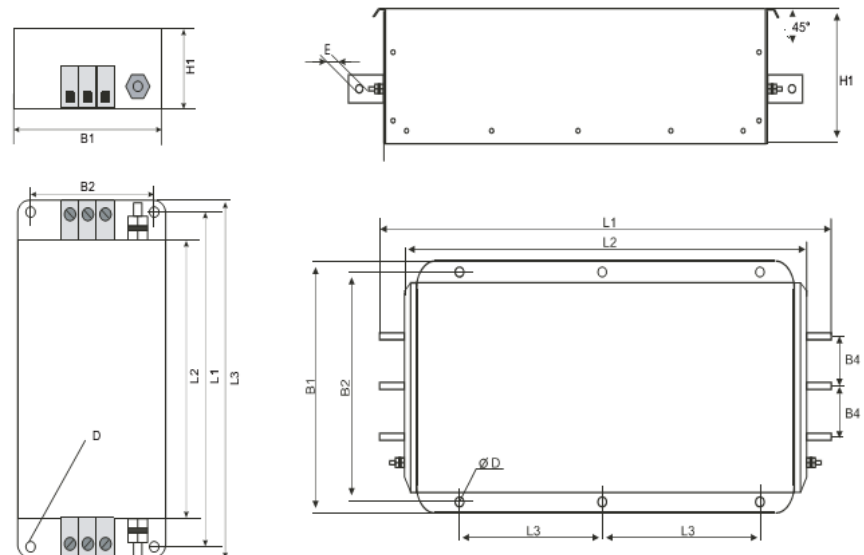
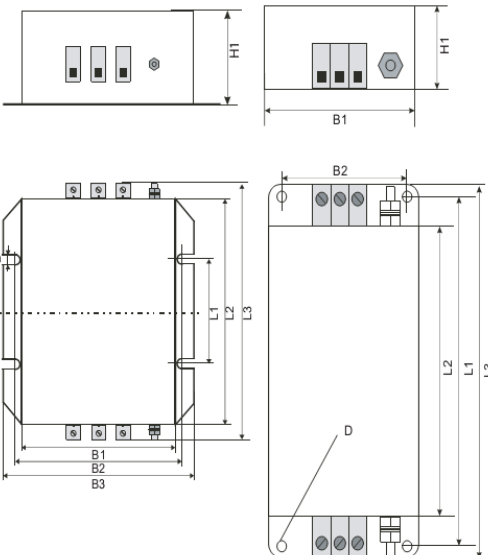


Dimensions – Panel Mount – Three Phase – Frame Sizes 4 - 7

Part Number	Optidrive Size	PE Connection	L1 (mm)	L2 (mm)	L3 (mm)	B1 (mm)	B2 (mm)	B3 (mm)	H1 (mm)	D (mm)	Rated Amps
OPT-2-E3050-20	4	2 x M6	115	200	240	120	136	150	65	6.5	50
OPT-2-E3080-20	5	2 x M10	373	350	400	170	130	-	65	6.5	80
OPT-2-E3180-20	6	2 x M10	470	360	510	180	156	-	115	9	180
OPT-2-E3300-00	7	2 x M10	660	530	700	260	220	-	130	9	300
OPT-2-E3500-00	8	2 x M12	390	306	-	260	235	-	135	11	500

Size 4 - 6

Size 7 - 8

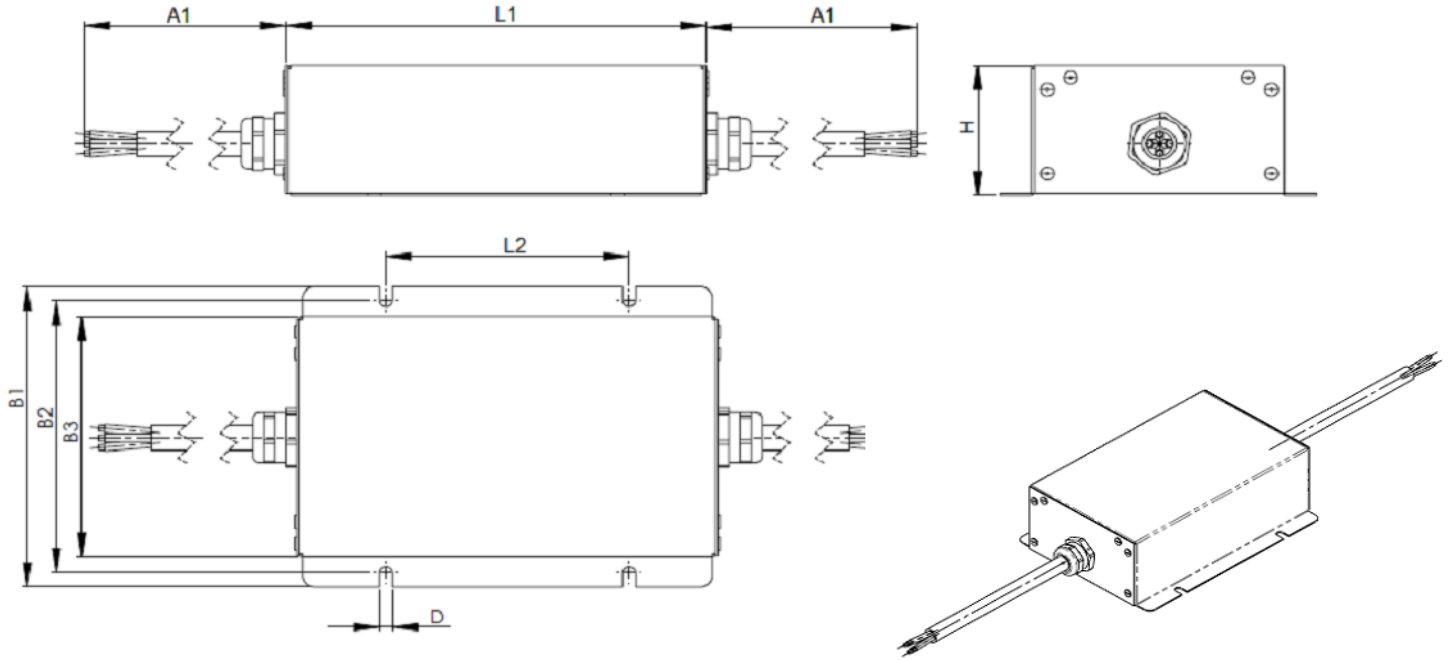


Dimensions – Enclosed – Single Phase

Part Number	Optidrive Size	PE Connection	L1 (mm)	L2 (mm)	L3 (mm)	B1 (mm)	B2 (mm)	B3 (mm)	H (mm)	D (mm)	A1 (mm)	Rated Amps	Weight (kg)
OPT-2-E1010-66	1	2 x M6	180	166	150	70	45	12.5	65	6.2	500	10	1.5
OPT-2-E1025-66	2	2 x M6	250	236	220	70	45	12.5	65	6.2	500	25	2.8

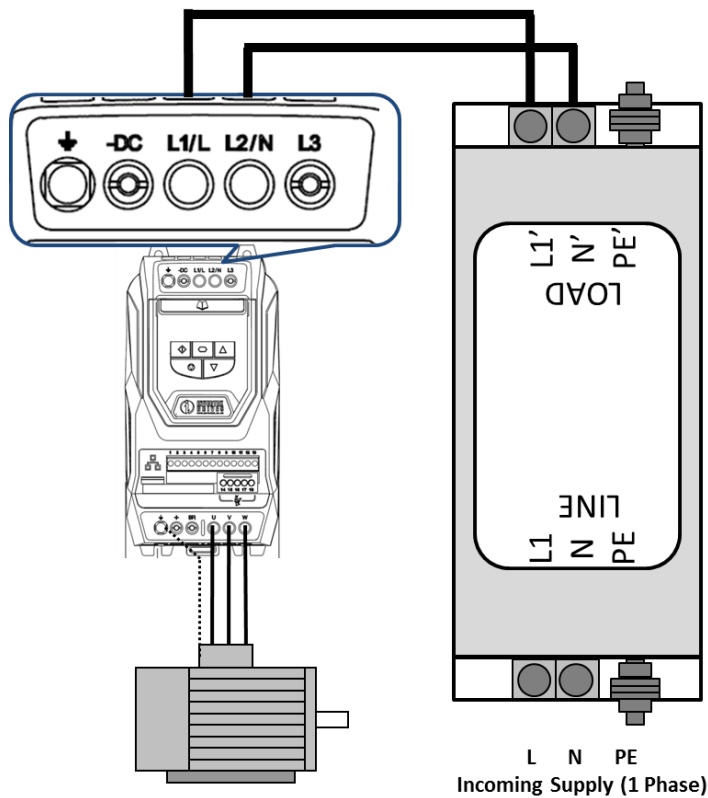
Dimensions – Enclosed – Three Phase

Part Number	Optidrive Size	PE Connection	L1 (mm)	L2 (mm)	L3 (mm)	B1 (mm)	B2 (mm)	B3 (mm)	H (mm)	D (mm)	A1 (mm)	Rated Amps	Weight (kg)
OPT-2-E3006-66	1	2.5	210	196	180	85	55	15	60	6.2	500	6	2.7
OPT-2-E3016-66	2	2.5	230	216	200	120	80	20	65	6.2	500	16	2.7
OPT-2-E3025-66	3	2.5	200	115	-	150	136	120	65	6.2	500	25	2.7

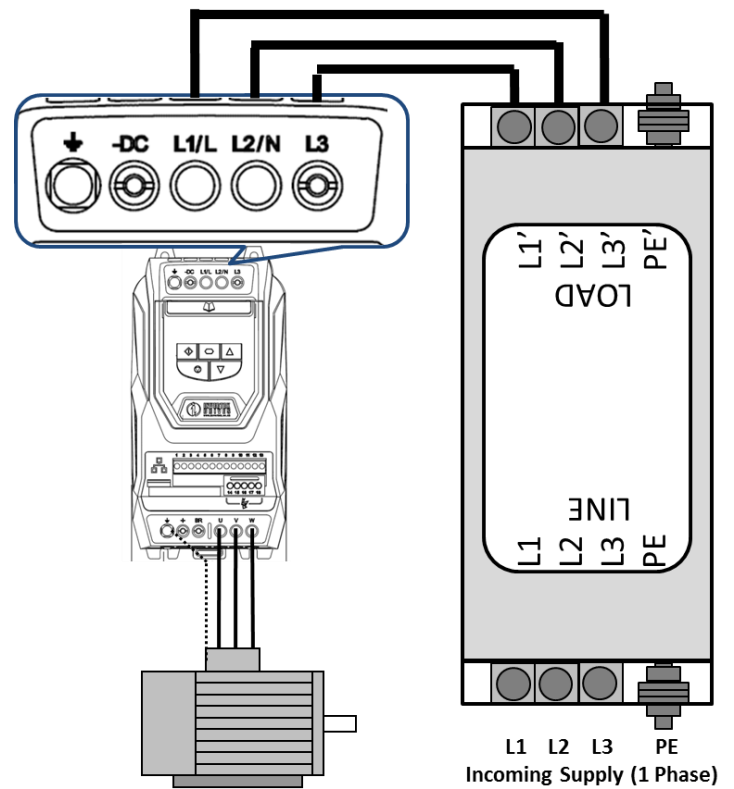


Installation Schematic Diagram

Single Phase Supply Installation



3 Phase Supply Installation



Electrical Specification – Single Phase			Electrical Specification – Three Phase		
Voltage Range	200 – 250 VAC		Voltage Range	380 – 480 VAC	
Frequency Range	48 – 62Hz		Frequency Range	48 – 62Hz	
Leakage Current	OPT-2-E1010-00	< 5mA	Leakage Current	OPT-2-E3006-00	< 10mA
	OPT-2-E1025-00	< 5mA		OPT-2-E3016-00	< 35mA
				OPT-2-E3025-00	< 35mA
				OPT-2-E3050-20	< 180mA
				OPT-2-E3080-20	< 200mA
				OPT-2-E3180-20	< 220mA
				OPT-2-E3300-00	< 260mA
				OPT-2-E3500-00	< 100mA

Compatibility

The following table shows the EMC filter to be used with each respective drive rating.

1 Phase Input, 230 Volt AC Supply, Drive fitted with internal EMC Filter

Frame Size	kW	HP	EMC Filter Model Code	Optidrive E2	Optidrive P2	Optidrive Eco	Optidrive Elevator
1	0.37	0.5	OPT-2-E1010-xx	✓	✓	✓	
	0.75	1	OPT-2-E1025-xx	✓	✓	✓	
	1.5	2	OPT-2-E1025-xx	✓	✓	✓	
2	1.5	2	OPT-2-E1025-xx	✓	✓	✓	
	2.2	3	OPT-2-E1025-xx	✓	✓	✓	

3 Phase Input, 400 Volt AC Supply, Drive fitted with internal EMC Filter

Frame Size	kW	HP	EMC Filter Model Code	Optidrive E2	Optidrive P2	Optidrive Eco	Optidrive Elevator
1	0.75	1	OPT-2-E3006-xx	✓			
	1.5	2	OPT-2-E3006-xx	✓			
2	1.5	2	OPT-2-E3006-xx	✓	✓	✓	✓
	2.2	3	OPT-2-E3016-xx	✓	✓	✓	✓
	4	5	OPT-2-E3016-xx	✓	✓	✓	✓
3	5.5	7.5	OPT-2-E3016-xx	✓	✓	✓	✓
	7.5	10	OPT-2-E3025-xx	✓	✓	✓	✓
	11	15	OPT-2-E3025-xx	✓	✓	✓	✓
4	11	15	OPT-2-E3025-xx		✓	✓	✓
	15	20	OPT-2-E3050-20		✓	✓	✓
	18.5	25	OPT-2-E3050-20		✓	✓	✓
	22	30	OPT-2-E3050-20		✓	✓	✓
5	30	40	OPT-2-E3080-20		✓	✓	✓
	37	50	OPT-2-E3080-20		✓	✓	✓
	45	60	OPT-2-E3180-20			✓	
6	45	60	OPT-2-E3180-20		✓		
	55	75	OPT-2-E3180-20		✓	✓	
	75	100	OPT-2-E3180-20		✓	✓	
	90	120	OPT-2-E3180-20		✓	✓	
7	110	150	OPT-2-E3300-00		✓	✓	
	132	175	OPT-2-E3300-00		✓	✓	
	160	250	OPT-2-E3300-00		✓	✓	
8	200	300	OPT-2-E3500-00		✓	✓	
	250	350	OPT-2-E3500-00		✓	✓	



82-FILTE-IN_V2.01